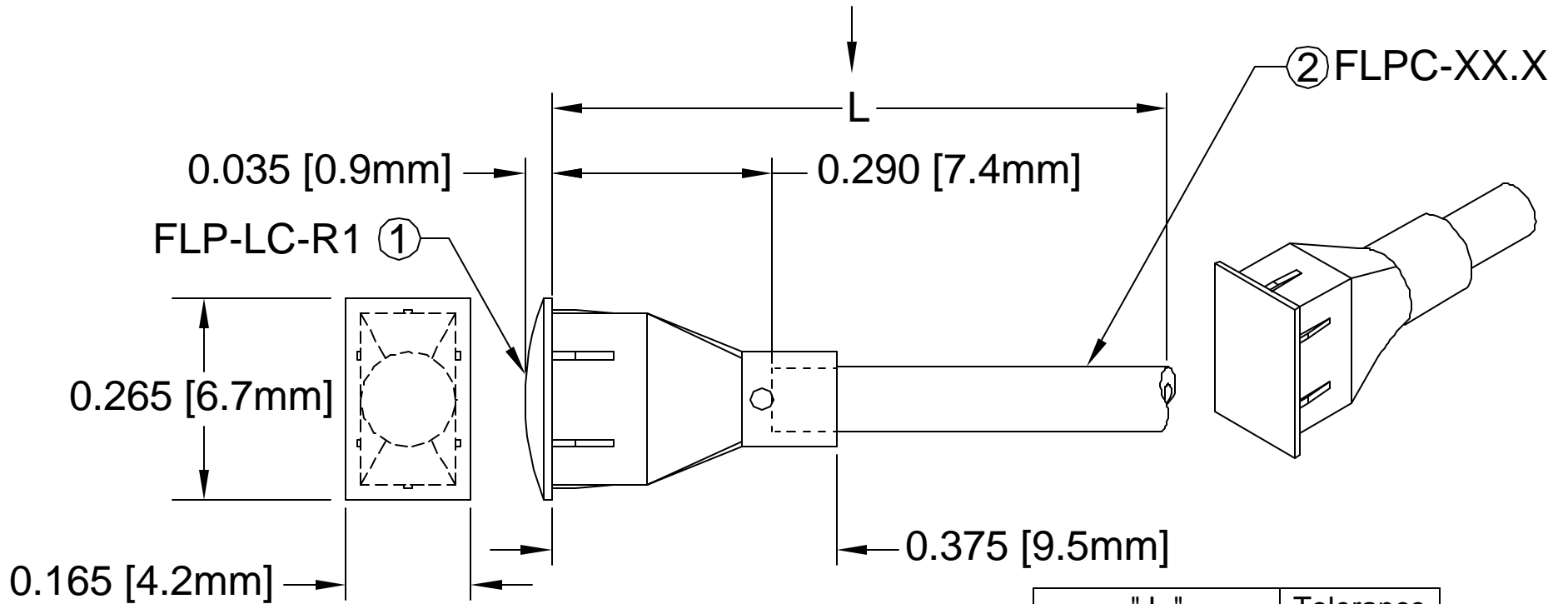


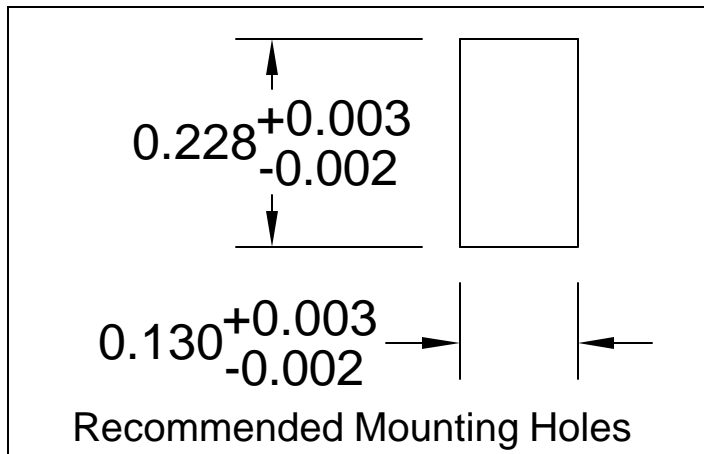
ITEM	Q'TY	PART NUMBER	PART DESCRIPTION
1	1	FLP-LC-R1	HOLDER CAP, FLEXIBLE LIGHT-PIPE, RECTANGULAR
2	1	FLPC-XX.X	LIGHT PIPE CABLE, CUT LENGTH IN INCHES

REV.	DESCRIPTION	DATE	APPROVED
B	Engineering Update w/o Changes	03/01/04	M. C.
C	Dimensioning Update w/o Changes	01/05/05	M. C.
D	Cable Length Update	09/18/06	M. C.

### FLPR1-XX.X



" L "	Tolerance
2.5" ~ 16.0"	±0.050"
16.1" ~ 40.0"	±0.15"
40.1" ~ 80.0"	±0.30"
80.1" ~ 3,940.0"	±0.5%



STANDARD TOLERANCE ( UNLESS OTHERWISE SPECIFIED )	
DECIMALS	ANGULAR
.X ±.1	X° ±1°
.XX ±.02	
.XXX ±.010	

<b>BIVAR</b> <sup>®</sup>	
4 THOMAS, IRVINE, CA. 92618 TEL: (949) 951-8808 FAX: (949) 951-3974	
<b>TITLE:</b> RECTANGULAR LENS CAP ASSY.	
<b>DESIGNED:</b> Shane Irving	<b>DATE:</b> 05/22/02
<b>CHECKED:</b> M. Chen	<b>DATE:</b> 05/22/02
<b>PART NO:</b> FLPR1-XX.X	<b>REVISION:</b> D
<b>CAGE CODE :</b> 32559	<b>SHEET #</b> 1 OF 1
<small>CAD GENERATED DOCUMENT, DO NOT MEASURE DRAWING.</small>	